

The UK's Best Selling Aluminium Bi-Folding Door

Bring the
outside in



PROFILE
VISOFOLD 1000

OPTIONAL
PAS24 SECURITY

DETAIL
THERMAL EFFICIENCY

Styled to
transform



VISOFOLD 1000 Profile Aluminium Bi-Folding Doors

Aluminium bi-fold doors transform a home: The creation of relaxing, stylish open plan living, delivering stunning panoramic views and allowing light to flood in to rooms.

Rooms with a view

Bi-Folding Doors allow entire walls in homes to be glazed and visually accessible, making the most out of gardens and patios. These beautifully designed, versatile doors create a contemporary look for any home, whether it's a living room, bedroom, kitchen or conservatory.

Practical in every way

Equally at home in new-builds, extension projects or updating period style properties. Allowing the outside in brings home interiors and exterior spaces together extending practical usable areas: The home and garden in synergy all year round

Strong, durable, secure & stylish

Aluminium Bi-Folding Doors come with all the assurances you would expect from a quality designed product. Aluminium profiles are designed to give strength and durability, ensuring a structurally sound product that requires minimal maintenance and delivers reliable performance over a lifetime of use.





Low maintenance

Scratch resistant powder coated finish.

With an aluminium profile that is designed to be strong and durable, our Bi-folding Doors deliver a reliable performance as well as being pleasing to the eye.

Polyamide thermal barrier technology helps keep homes warm in the winter, **reducing energy bills and subsequently future carbon footprints.**

Advanced profile technology creates a thermal transmittance

barrier between the cold air outside and the warm air inside (or vice versa), keeping homes comfortable throughout the year, whatever the weather.

To protect homes against unwanted visitors, high security multi-point locking mechanisms are fitted on opening sashes, with shoot-bolt locking and internally glazed sealed units for added assurance.

PAS24 upgrade to is also available.



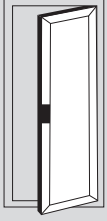


Enjoy stunning panoramic views

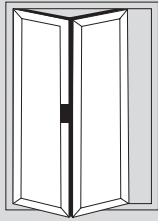
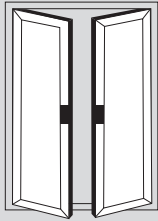


Secure, warm & cosy

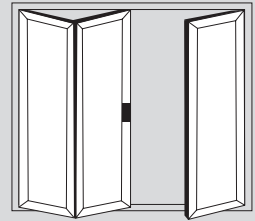
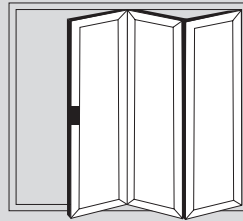
1 Door Option



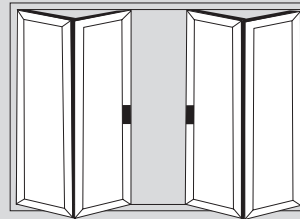
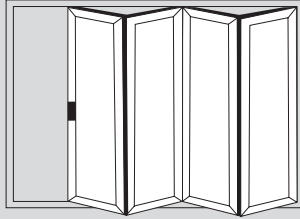
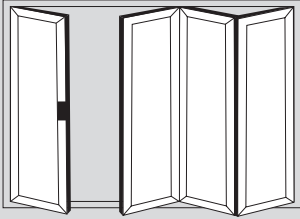
2 Door Options



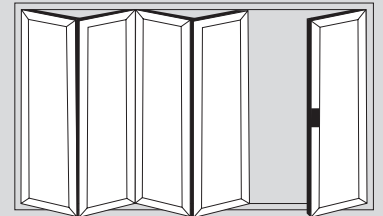
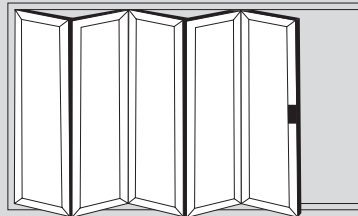
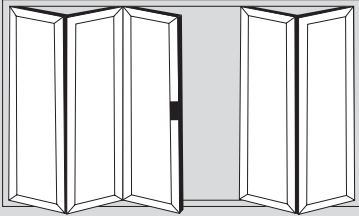
3 Door Options



4 Door Options



5 Door Options



Aluminium Bi-Folding Doors **Popular design options**

- Doors up to 6.5m wide
- Height up to 2.5m
- Each Sash up to 1.2m wide
- Thermally Efficient
- Complies with Building Regulations
- Available in a range of colours and styles
- Various threshold options
- Doors can open in or out
- PAS24:2012 Optional Security Upgrade

PROFILE

VISOFOLD 1000

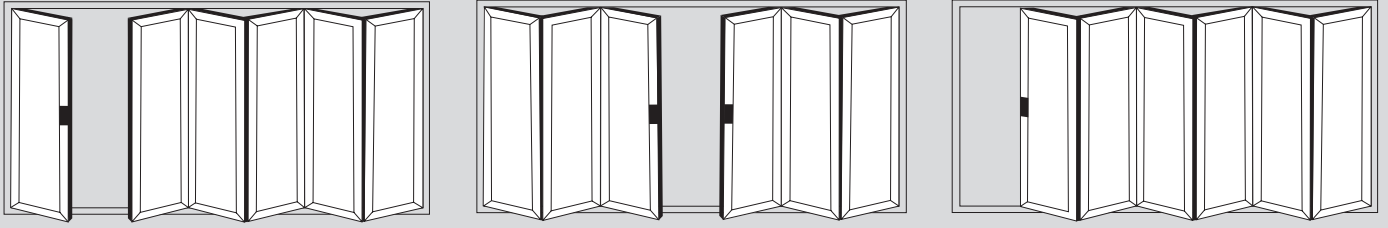
OPTIONAL

PAS24 SECURITY

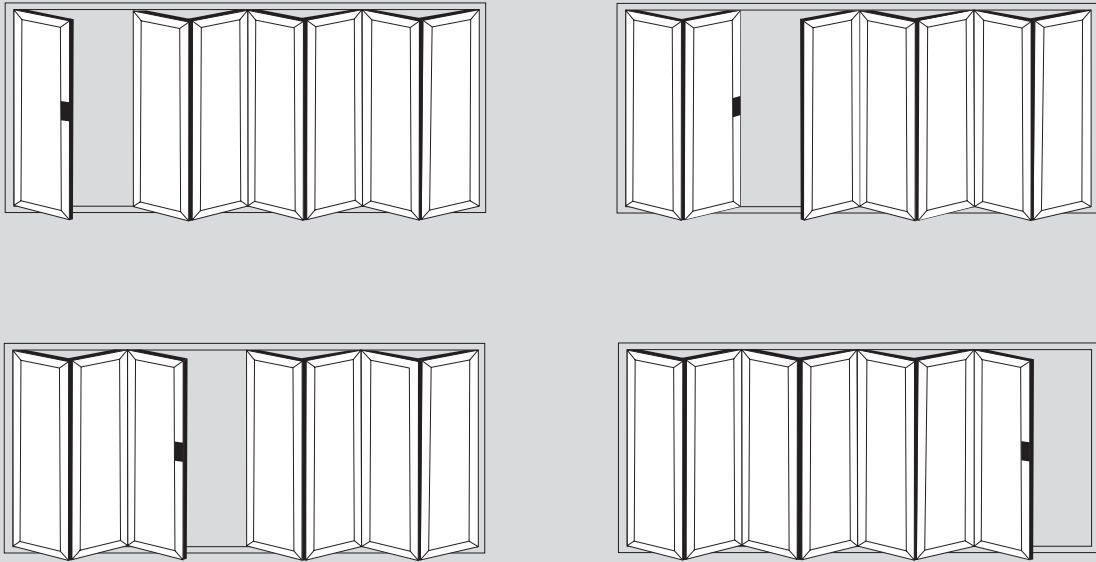
DETAIL

THERMAL EFFICIENCY

6 Door Options



7 Door Options



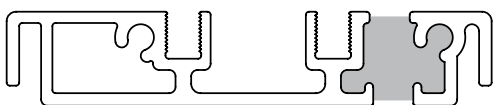
Threshold Options



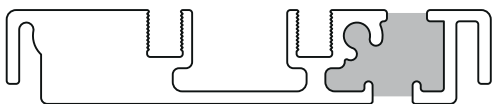
Our Aluminium Bi-folding Doors offer a range of different thresholds to suit every need.

Rebated Thresholds come in either our standard range or the integrated cill variety. The integrated cill threshold is for open out doors only but allows for a lower step over height compared to our standard range when coupled with a projection cill.

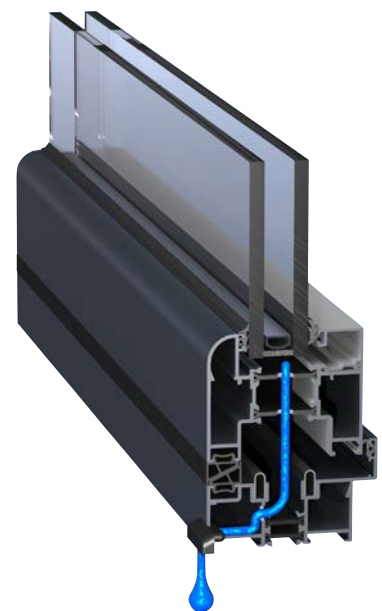
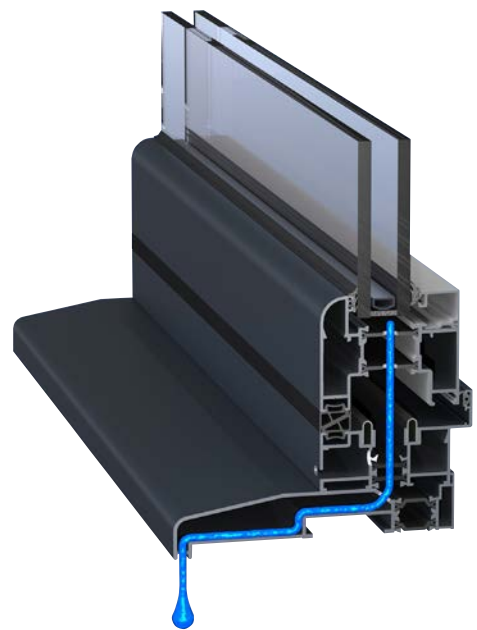
Low Thresholds are also available. The DV171 (open in) and DV271 (open out) thresholds are compatible with ramps (EUD03) allowing easy access. These thresholds are not fully weather rated due to not having a rebate, intended as room dividers and ideal for disabled access



DV171



DV271



VISOFOLD 1000 Profile
Aluminium Bi-Folding Doors

Colour Options

Creative, innovative & protective range of highly versatile powder-coated colours are available for our innovative aluminium doors, including beautiful subtle metallics, and contemporary colour-rich shades.

Specifically developed to provide creative choice, flexibility and excellence required by the most demanding projects, suitable for a range of architectural applications and building projects.

Naturals

Beautiful colour-rich coatings in a variety of versatile shades, the 'naturals' range offers style and protection.

Sensations

An exclusive range of metallic finishes that combine with a unique tactile finish, delivering style and durability to any building project. Ideal for both modern, new builds, extension and restoration projects 'sensations' broad pallet of colours and pleasing feel offer a unique finish to our doors.

- **Highly resistant to corrosion**
- **Durable scratch resistant finish**

Available in any RAL or British Standard colour, Visofold Profile Bi-Folding Doors are polyester powder-coated for durability to maintain a fresh appearance, year after year.



For colour charts...
see your
design consultant

Security and PAS 24:2012

View of lower hook
bolt and cam



View of upper
retained roller hinge



View of non-runner
hinge



Enhanced security rated doors

PAS 24:2012 has been produced by BSI to provide a method for testing and assessing the enhanced security performance requirements of external door-sets. Intended to resist the levels and methods of attack experienced in the UK and compliant with Building Regulations

VISOFOLD 1000 Profile
Aluminium Bi-Folding Doors

Lever handle



View of retained roller hinge



The optional security upgrade consists of the following:

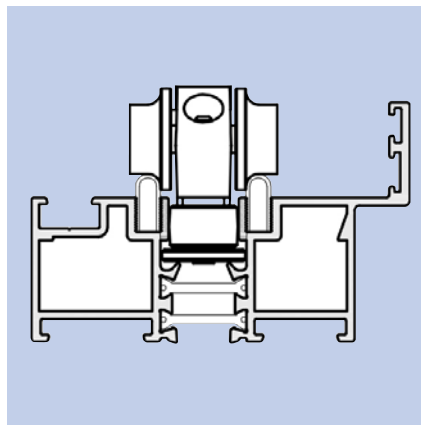
PAS 24: 2012

- **Upgraded security handle**
- **Retained rollers and guides to stop the doors being forced from their frame**
- **Anti lift blocks**
- **Nylon coated stainless steel shoot-bolts**

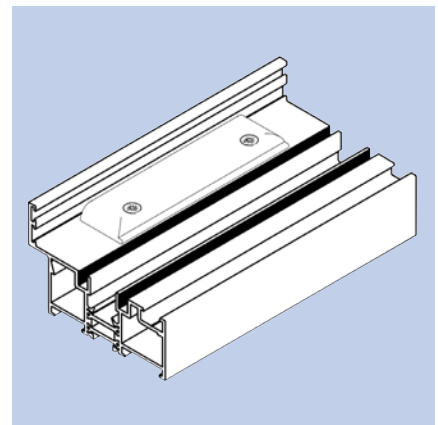
View of centre leaf shoot-bolt



Retained roller guides



Anti lift blocks



The UK's Best Selling Aluminium Bi-Folding Door

VERSION

VISO FOLD 1000
PROFILE

OPTIONAL

PAS24 SECURITY

DETAIL

THERMAL
EFFICIENCY

